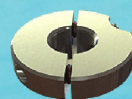


LMS SERIES

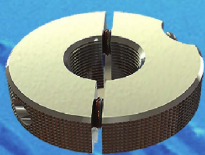
Sub-sea Hydraulic Tensioner



Subsea Only

Split Nut

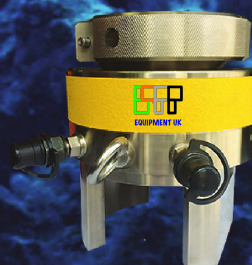
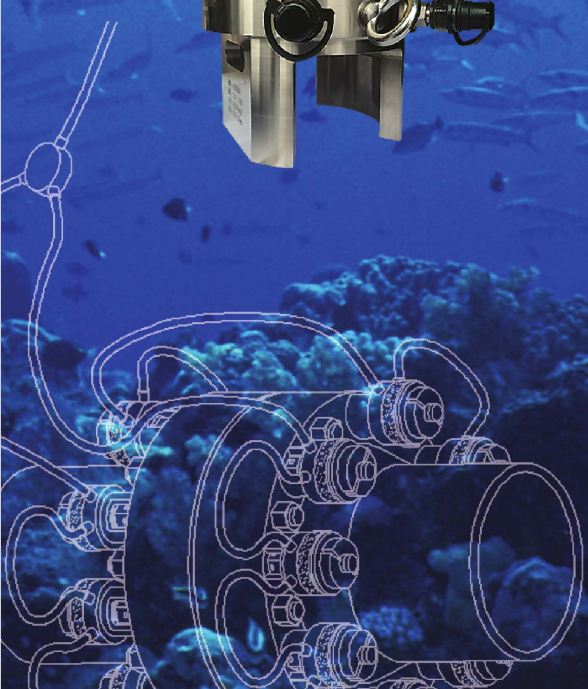
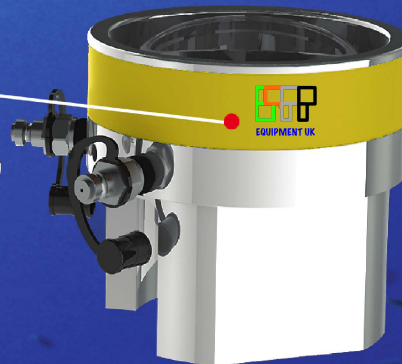
- Unique design
- Quick Installation
- Suit for long bolt,damage bolt
- Max piston stroke is 30mm
- Working Pressure:21750 psi (1500 bar)



Split Nut

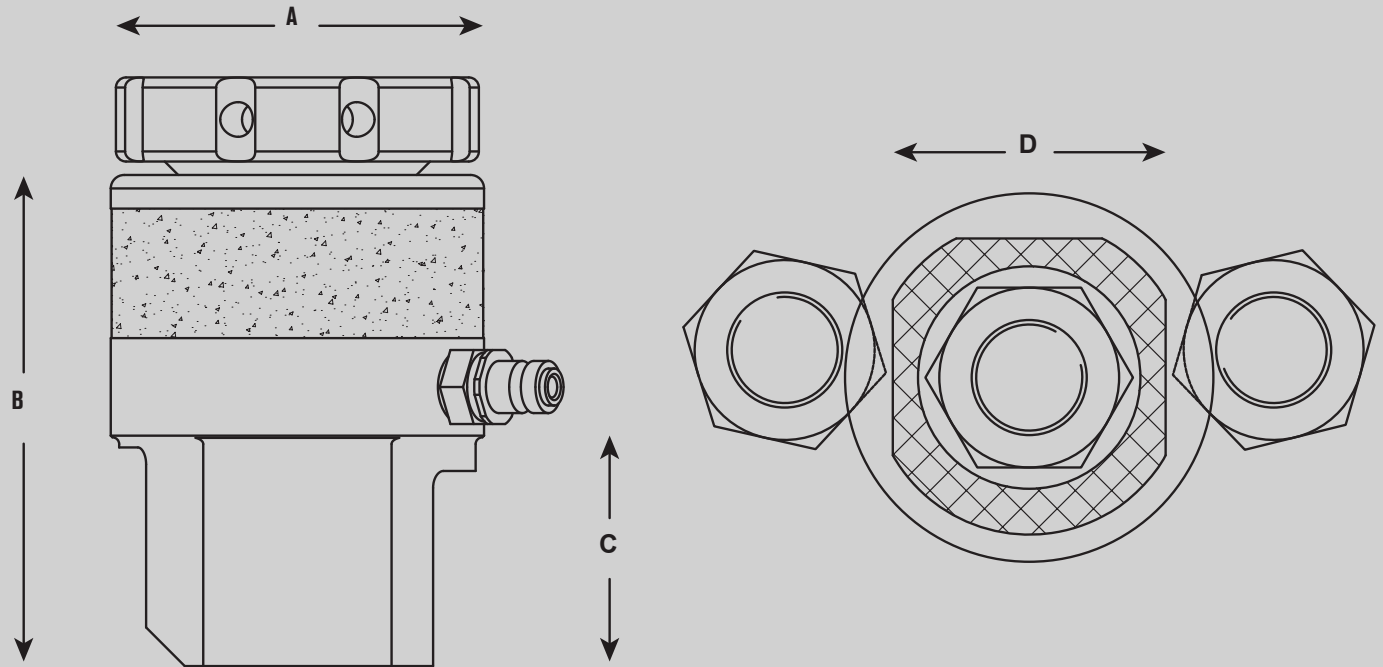
Piston

Cylinder



LMS SERIES

Sub-sea Hydraulic Tensioner



| Type | Bolt Diameter | | Load | Hydraulic Area | | A in/mm | B in/mm | C in/mm | Minimum Bolt Height | | D in/mm | Stroke in/mm |
|------|---------------|--------|------|-----------------|-----------------|------------|------------|------------|---------------------|------|------------|-----------------|
| | Imp | Metric | | in ² | mm ² | | | | in | mm | | |
| LMS1 | 3/4" | M20 | 141 | 1.96 | 943 | 2.60/66 | 3.82/97 | 1.89/48 | 4.09 | 107 | 8.98/228 | 0.79/20 |
| | 7/8" | M22 | | | | | | | 3.98 | 105 | | |
| LMS2 | 1" | M24 | 237 | 2.45 | 1585 | 3.23/82 | 5.02/127.5 | 2.36/60 | 5.24 | 139 | 11.65/296 | 1.82/30 |
| | 1-1/8" | M27 | | | | | | | 5.12 | 136 | | |
| | | M30 | | | | | | | | 134 | | |
| LMS3 | 1-1/4" | M33 | 379 | 3.92 | 2532 | 3.82/97 | 5.39/137 | 3.03/77 | 5.35 | 142 | 12.17/309 | 1.82/30 |
| | 1-3/8" | M36 | | | | | | | 5.24 | 139 | | |
| LMS4 | 1-1/2" | M39 | 551 | 5.69 | 3676 | 4.37/111 | 5.75/146 | 3.54/90 | 5.51 | 147 | 12.58/322 | 1.82/30 |
| | 1-5/8" | M42 | | | | | | | 5.35 | 144 | | |
| LMS5 | 1-3/4" | M45 | 880 | 9.10 | 5868 | 5.35/136 | 6.22/158 | 4.49/114 | 5.94 | 160 | 13.46/342 | 1.82/30 |
| | 1-7/8" | M48 | | | | | | | 5.83 | 158 | | |
| | | 2" | | | | | | | M52 | 5.71 | | |
| LMS6 | 2-1/4" | M56 | 1564 | 16.17 | 10433 | 6.97/177 | 7.11/180.5 | 5.51/140 | 6.54 | 178 | 14.72/374 | 1.82/30 |
| | 2-1/2" | M60 | | | | | | | 6.30 | 175 | | |
| | 2-3/4" | M64 | | | | | | | 6.08 | 172 | | |
| | | M68 | | | | | | | | 169 | | |
| | M70 | | | | | | | | 165 | | | |
| LMS7 | 3" | M76 | 2419 | 26.63 | 16128 | 8.54/217 | 7.95/202 | 7.09/180 | 7.13 | 195 | 15.10/409 | 1.82/30 |
| | 3-1/4" | M80 | | | | | | | 6.89 | 192 | | |
| | | M85 | | | | | | | 6.65 | 188 | | |
| | 3-1/2" | M90 | | | | | | | | 184 | | |

